

# Digital Type Auto Reclosing Relay (79)

## SPECIFICATION

### Overvoltage and Undervoltage

Rated voltage input	AC 110V, 220V or 380V	30%, 50/60HZ
Overload capability	2 x rated	5sec.
Overvoltage setting range	100% ~ 130%	
Overvoltage time delay	0 ~ 99sec.	
Undervoltage setting range	70% ~ 100%	
Undervoltage time delay	0 ~ 99sec.	
PT ratio setting range	0.01 ~ 999	

### Reclosing unit

Reclose time delay	0 ~ 99sec.
The time of reclose	.1 ~ 9 times
Alarm for reclose	internal buzzer and contacts output
Disable reclosing	external lock or breaker on

### Accuracy

Over/Under voltage setting	$\geq \pm 0.5\%$ full scale
Time delay	$\pm 3\%$ of set value or $\pm 20$ ms. (Whichever is greater) at 0 msec: 50 ms Max.

### Power supply

Nominal voltage	AC/DC 85~265 V or DC 20~60 V
Burden	AC $\leq 6$ VA, DC $\leq 7$ W

### Display

Type	0.56"H, red LED
Digital format	.1 row of 4 digits 1 row of 2 digits (reclosing count down time)

### Detection Input

Rated voltage input	AC 110V ( 65 ~ 160V) AC 220V (130 ~ 320V) AC 380V (225 ~ 550V)
Type	External lock & ON verify

### Output

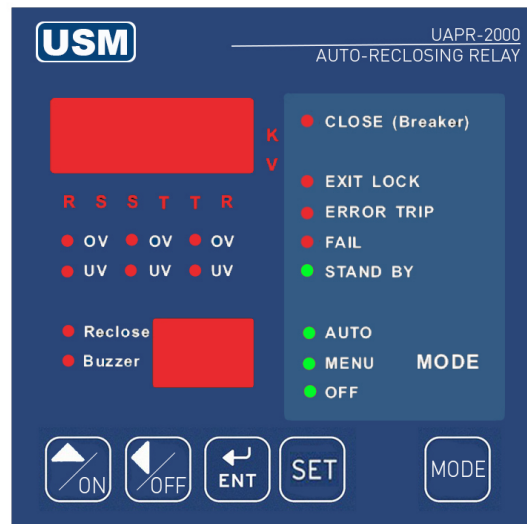
Relay contacts	SPST for trip/reclose/buzzer
Rated voltage	250V AC/DC
Continuous carry	.5A
Make and carry for 0.5s	.30A
Make and carry for 3.0s	.15A

### Communication

Interface	RS485
Protocal	MODBUS, RTU framing
Baud rate	1200 ~ 38400 programmable
Address range	1 ~ 255 programmable
Data format	N.8.1/ N.8.2/ O.8.1/ E.8.1 programmable
Number of meter	up to 32 256 (option)

### Frame

Degree	Front IP52 (Option IP65)
--------	-----------------------------



## FEATURES

- Breaker open / close indicator.
- Real - time voltage 4 digits LED display.
- Programmable adjustment for voltage transformer ratio.
- Setting value protected by password.
- Local display of data recorded at the moment of a fault.
- Line RMS voltage measurement.
- ON / OFF / Buzzer relay contact output.
- With RS 485 output.
- Immunity test according to IEC 255 standards.
- Outside dimension compatible for DIN standards
- Internal fault detection.

## FUNCTIONS

- 27-Line under voltage relay with definite time
- delay.59-Line over voltage relay with definite time.
- 79-Auto reclosing relay with definite time.
- > Reclosing count down time with internal buzzer
- > and contacts output. Disable reclosing external lock.

### General

Dielectric strength	IEC 688, AC 2.3KV/1 minute between terminals AC 3KV/1 minute between all terminals/case
Operating temperature	0 ~ 60 °C
Storage temperature	-10 ~ 70 °C
Max.humidity	90%

### Immunity Test

Withstanding impulse voltage	IEC 61000-4-5 (IEC 255-5)
Electrical transient in burst	IEC 61000-4-4 (IEC 255-22-4)
Electrostatic discharge	IEC 61000-4-2
Voltage disps and short interruptions	IEC 61000-4-11

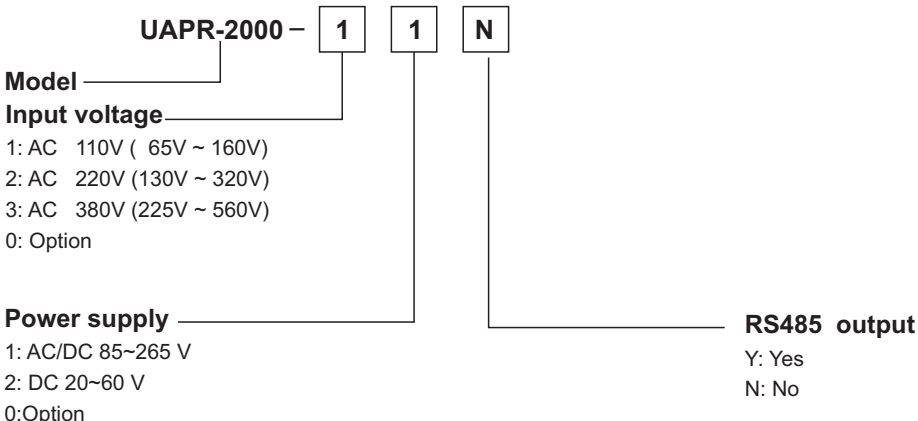
**UNITED STATES MULTICORPORATION**

632 New York Drive, Pajoma, CA91768, USA

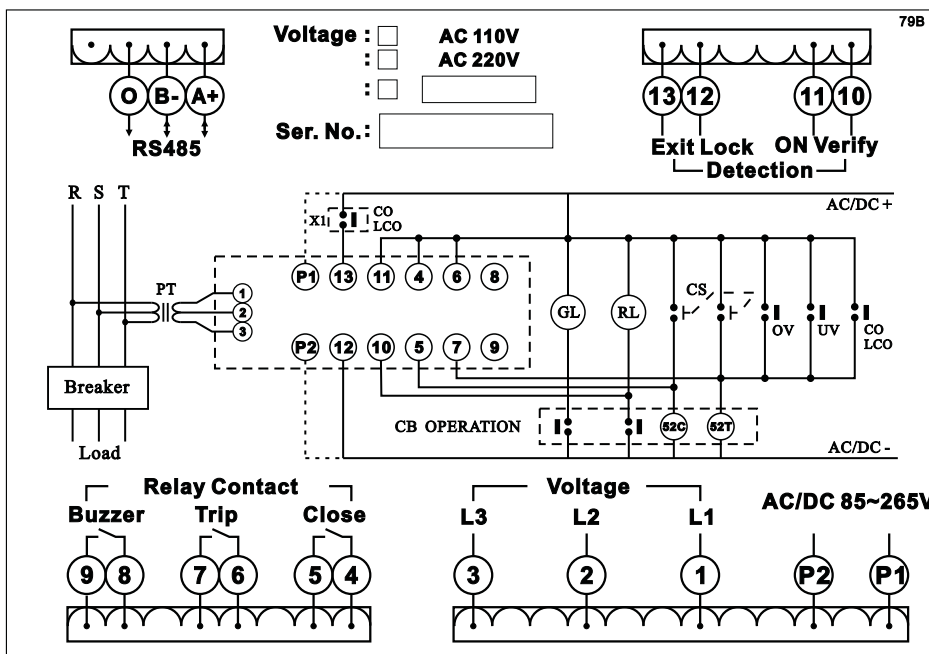


# Digital Type Auto Reclosing Relay (79)

## ORDERING INFORMATION



## CONNECTION DIAGRAM



## OUTSIDE DIMENSION(Unit:mm)

