

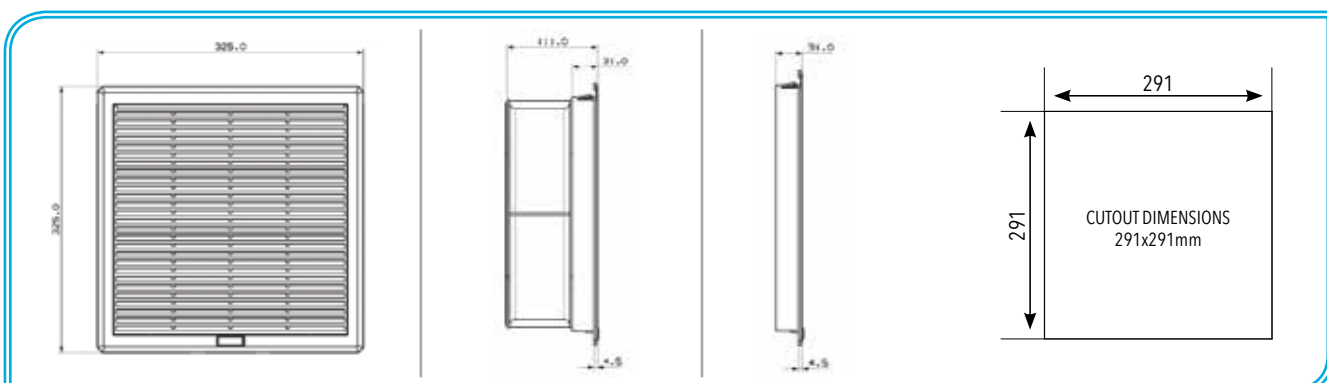


FILTER FANS

850m³/h

Models	Unit	PFI 3000	PTF 5000
Air Flow Rate	m ³ /h	-	850 (1200)
Power Supply	V/Hz	-	230V 50-60Hz
Dimensions	mm	325x325x31	325x325x111
Power Consumption	W	-	110 (140)
Current Consumption	A	-	0.50/0.72
Overcurrent Protection	-	-	Thermal
Electrical Connection	-	-	4-pole terminal
Operating Temperature	°C	-10/+70	
Protection Degree	-	IP54	IP54 / Class I
Noise Level	dB(A)	-	65 (68)
Flow Direction	-	-	Outside-In
Bearing	-	-	Ball
Plastic Material	-	UL94 V0 ABS Flame Retardant	
Gasket	-	Polyurethane sealing	
Colour	-	RAL7035 (RAL7032 on request)	
Weight	kg	0.70	4.12
Mounting	-	Fast Clip-on	
Conformity	-	CE	

Ventilation / Filter Fans - 850m³/h





TEMPERATURE CONTROL THERMOSTAT

Models	Unit	PTHT	PTVT
Contact Function	-	NC	NO
Temperature Setting Range	°C	0-60	0-60
Colour of Potentiometer	-	RED	BLUE
250V AC / 120V AC	A	10 (2)	15 (2)
Sensor Type	-	Bimetal	
Contact Type	-	Snap Action	
Service Life	Cycle	> 100.000	
Electrical Connections	-	2-Pole Terminal	
Plastic Material	-	UL94 V0 ABS Flame Retardant	
Protection Degree	EN60529	IP20	
Operating Temperature	°C	-25 / +80	
Storage Temperature	°C	-45 / +80	
Mounting	-	Clip for mounting on DIN rail 35mm	
Installation Position	-	Variable	
Conformity	-	CE	
Dimensions HxWxD	mm	61x34x38	
Weight	g	45	

