

TEST TERMINAL BLOCK



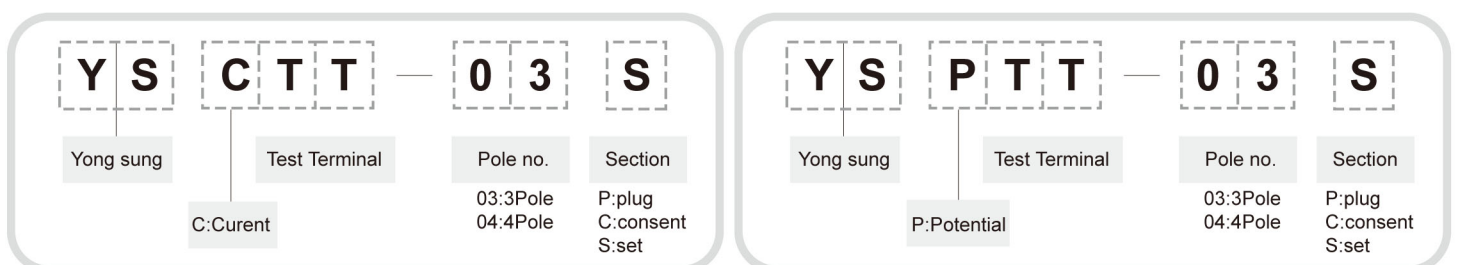
Features

- Our product is divided into electronic current parts and voltage parts.(not possible to insert a plug)
- Terminal is of the safe construction installed auxiliary contactor preventing circuit opening when plug inserting.
- As contacting of contactor is coasting type by spring, reliability is high.
- With using ABS resin of molding material, insulation and impact resistance are excellent.
- Terminal types are divided into 3P, 4P.

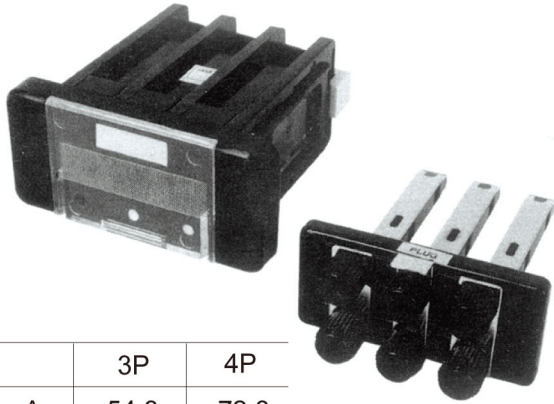
Performance summary

Type	Application	Rating	Performance
YS CTT-03S YS CTT-04S	for current	AC250V 10A	<ul style="list-style-type: none"> · Insulation resistance : above 100MΩ(DC 500V. Meg) · Withstand voltage : AC 2,500V/min · Temperature rise: Below 30°C · Mechanical lifetime : above 100,000 times
YS PTT-03S YS PTT-04S	for voltage		

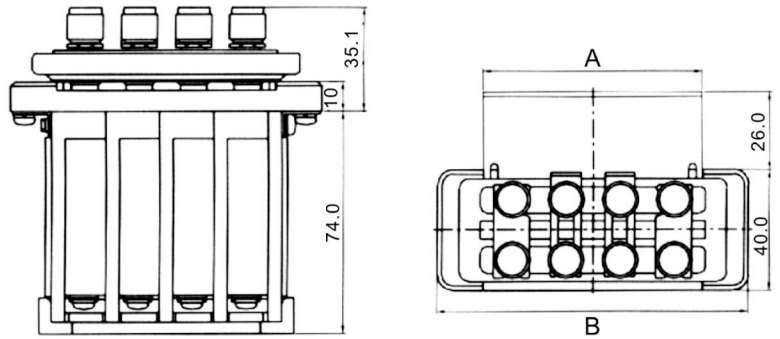
Type Classification diagram



Shape/Dimension Drawing (unit=mm)

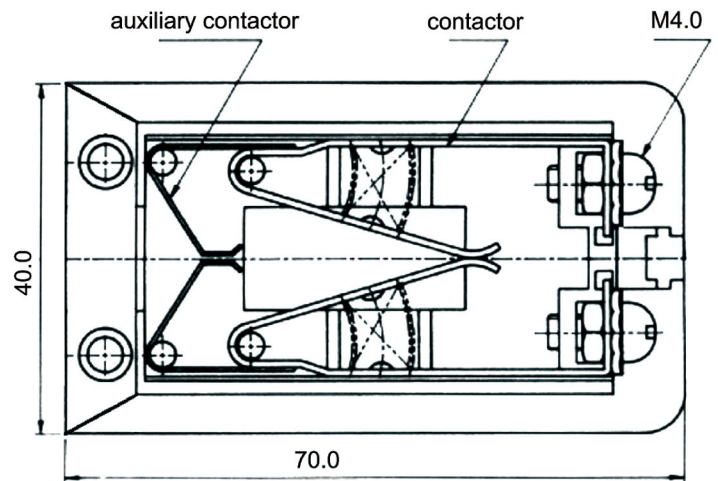


	3P	4P
A	54.8	72.8
B	88	106.8



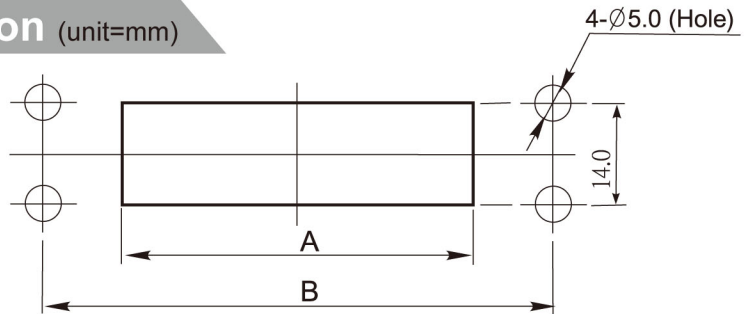
Structure explanation (unit=mm)

As the structure which contactor is not opened even if auxiliary contactor opened when plugging in, circuit is never opened since auxiliary contactor is connected to plug before opening contactor by plug and, in normal time, auxiliary contactor plays a protective role of contactor's contacting.



Panel attachment dimension (unit=mm)

Pole number	3P	4P
Symbol		
A	52.0	70.0
B	74.3	93.8



How to assemble front cover

1. Insert the exposed part to groove.
2. With pushing on the arrow part, push into diagonally.

