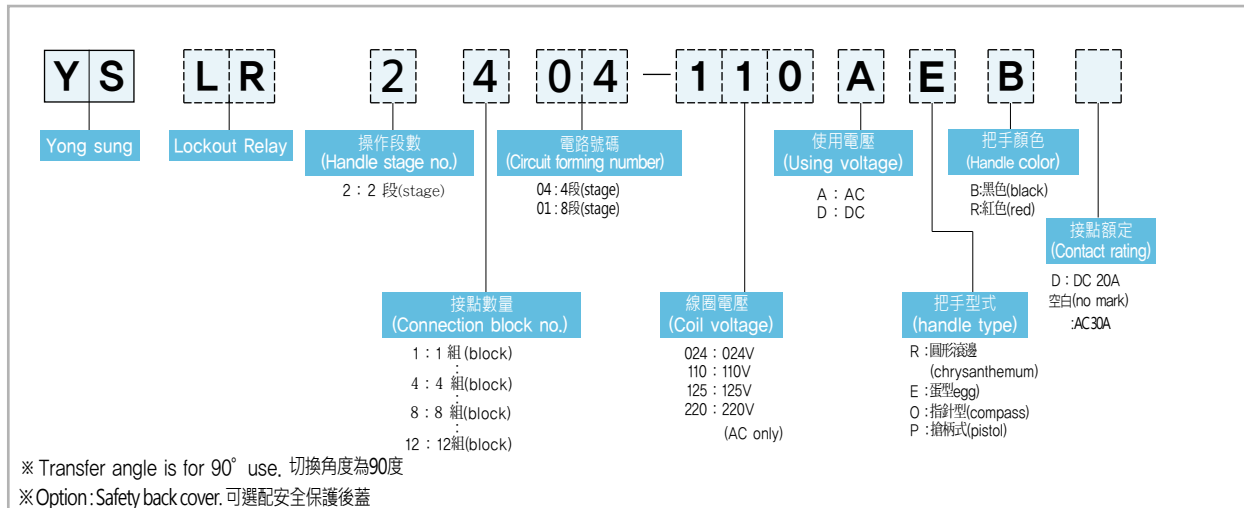




86 閉鎖電驛 Lockout Relay

Type Classification Diagram | 產品訂購碼



Features | 產品特色

- Auxiliary relay of high speed automatic trip/manual operated reset type by external signal.
- Operation state can be verified by naked eyes due to red or green trip display in operation.
(When TRIP, it needs to distinguish color of rainbow plate.)
- Block contact, divided by two type AC 250V 30A, and DC 125V 20A has wide-availability with high capacity.
- Withstand voltage up to AC 2KV/1min、mechanical lifetime up to 500000 times and electric lifetime up to 100000 times.
- Easy for various contact composition.
- 外部訊號自動/手動操作復歸型高速輔助電驛
- 可目視紅色或綠色的指示牌來確認目前的操作狀態
- 分成AC250V 30A和 DC125V 20A的截斷接點· 提供高可靠度與廣泛的運用範圍
- 授受電壓高達AC 2KV/1min、機械壽命提升至500,000次且電氣壽命提升至100,000次易於確
- 認接點位置狀態的設計

Rating | 額定規格

接點部分 (Contact part)	交流 (AC)	額定電壓 (Rating voltage)	250V	600V
		額定電流 (Rating current)	30A	20A
	直流(DC)	額定電壓 (Rating voltage)	125V	220V
		額定電流 (Rating current)	20A	10A
額定傳導電流 (Rating conductive current)		30A		
線圈部分 (Coil part)	交流(AC)	110V/220V 50/60Hz		
	直流(DC)	24V/110V/125V		

※ For DC 20A, permanent magnet is attached. 針對DC 24A產品· 附有永磁磁鐵

※ Ambient temperature: -25°C~+40°C, Relative humidity: 45~85%. 操作溫度: -25°C~+40°C、相對濕度: 45~85%

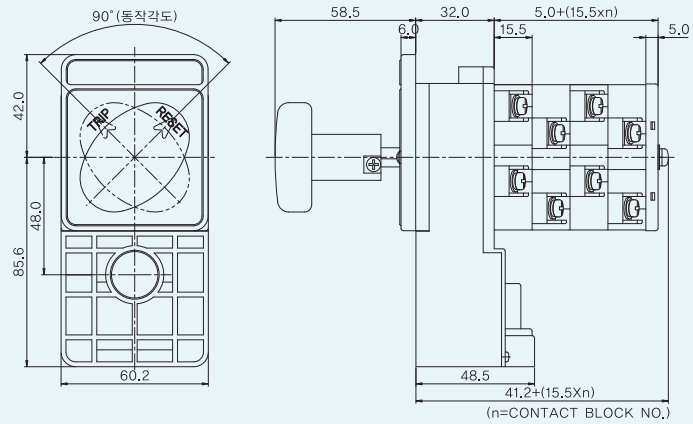
※ Refer to Cam Switch (20A, 30A) for part materials and performance. 其他部分可參考CAM SWITCH產品的材質與性能資料

86 lockout Relay

Shape / Dimension Drawing | 外觀/產品尺寸

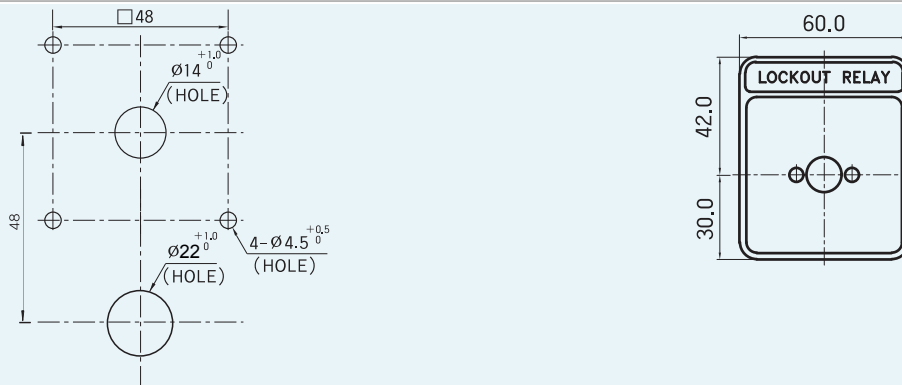
(unit : mm)

小按鈕型 (Small Test Button Type)

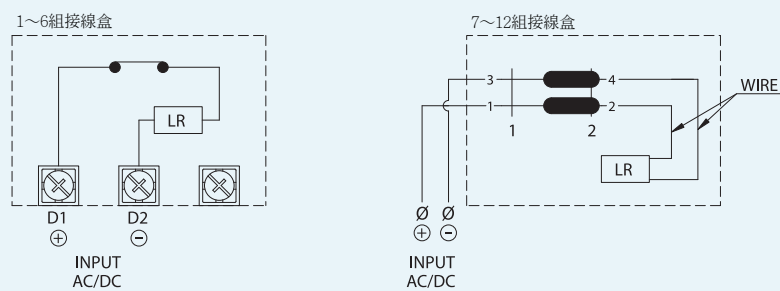


Cut-out Dimension | 開孔尺寸 / 盤面尺寸

(unit : mm)

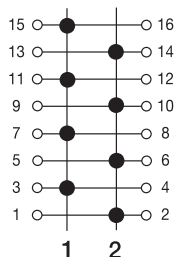


Connection Diagram | 接線圖

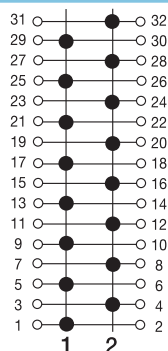


Example of Standard Circuit | 參考基本接線圖

LR-2404



LR-2801



台灣總代理 世安企業股份有限公司

電話 : (02)8912-1230 傳真 : (02)8912-1238

地址 : 新北市新店區寶橋路 235 巷 130 號 3 樓之 2