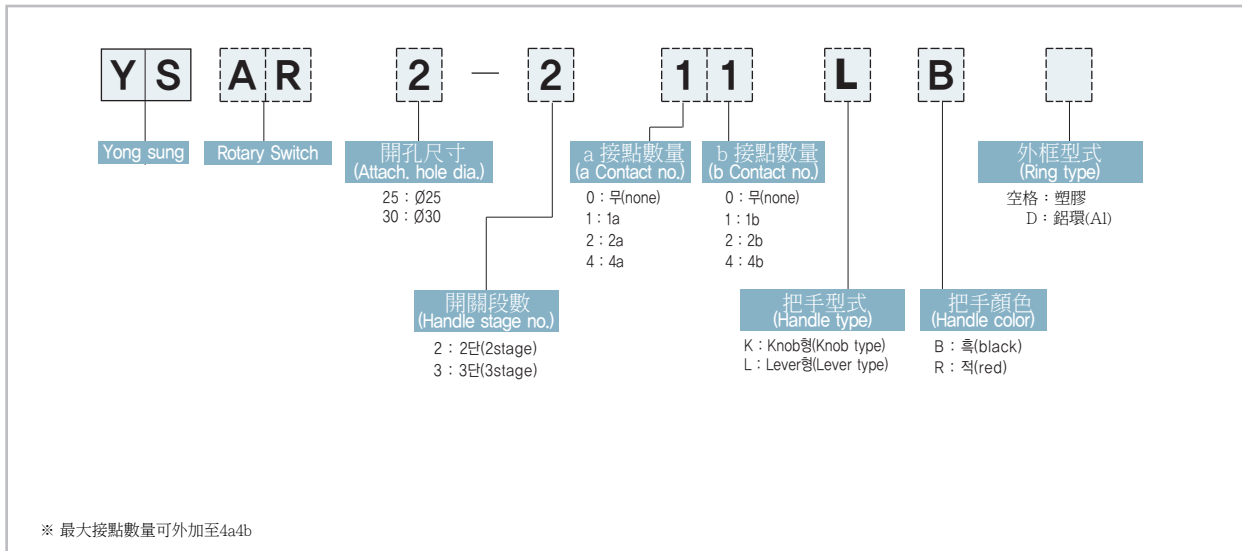




YS 旋轉開關(A-Type) Rotary Switch (A-Type)

標準型號圖示 | Type Classification Diagram |



產品特色 | Features |

- 金屬部分是採用特殊合金和烤漆處理，可延長使用壽命
- 接點數量採可外加方式，最高可加至4a4b
- 一般使用的盤面外框為ABS材質，如有需要也可訂製鋁框材質。
- 符合IEC60947規範且附接點保護蓋避免人員碰觸帶電部位。
- Special alloying or plating treatment on metal parts makes longer life.
- Contact composition is available from 1a(NO) 1b(NC) to 4a4b.
- Normal panel attachment ring is heat resistance ABS, but also replaceable by diecasting aluminum upon request.
- Follow IEC60947 standard and provide back side protection cover to prevent people tach the live electrical part.

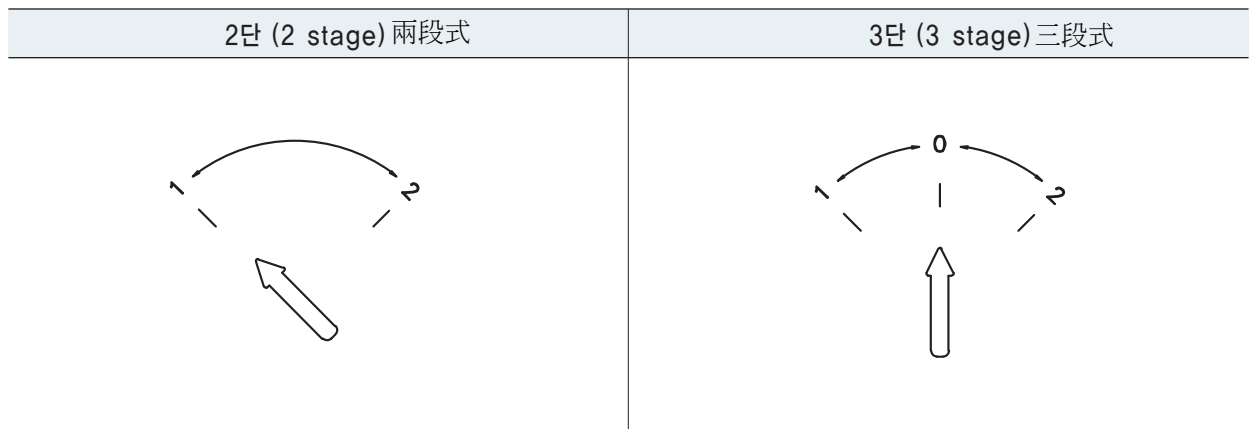
主要特性 | Performance Summary |

絕緣阻抗(Insulation resistance)	above 100MΩ (DC 500V. Meg)
接點阻抗(Contact resistance)	below 20mΩ (initial value)
耐受電壓(Withstand voltage)	AC 2,500V/min
機械壽命(Mechanical lifetime)	above 500,000 times (20 times/min)
電氣壽命(Electrical lifetime)	above 100,000 times (20 times/min)
環境溫度(Ambient temperature)	-25 ~ +40°C
相對濕度(Relative humidity)	45 ~ 85%

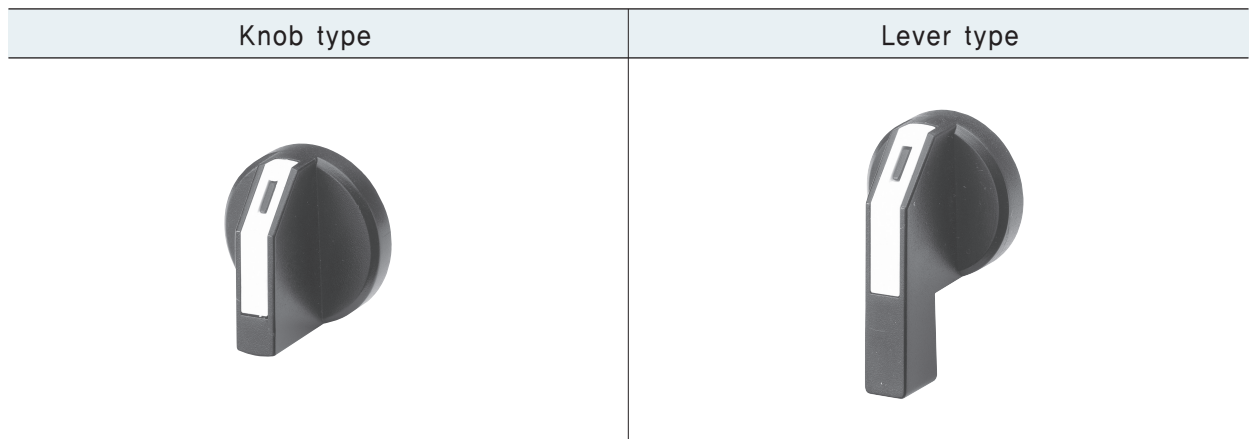
接點型式圖示(基本接點) | Contact Form Drawing (Basic Contact) |

接點編號 (Contact No.)	接點型式 (Contact form)	端子編碼 (Terminal Code)	兩段式		接點標號 (Contact No.)	接點型式 (Contact form)	端子編碼 (Terminal Code)	三段式		
			Left	Right				Left	Center	Right
11	1a1b	NO		●	11	1a1b	NO	●		
		NC	●				NC			●
20	2a	NO		●	20	2a	NO	●		
		NO		●			NO	●		
22	2a2b	NO		●	22	2a2b	NO	●		
		NC	●				NC			●
		NO		●			NO	●		
		NC	●				NC			●
40	4a	NO		●	40	4a	NO	●		
		NO		●			NO	●		
		NO		●			NO	●		
		NO		●			NO	●		

開關切換圖示 | Directional Diagram of Handle Action |

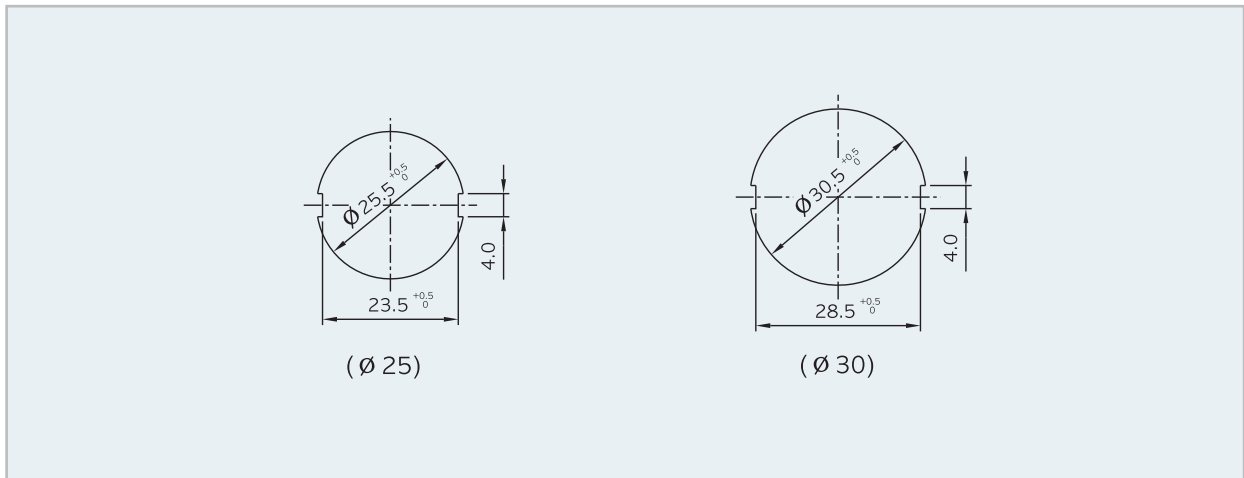


開關型式 | Handle Type |



開孔尺寸 Panel Cut-out Dimension |

(unit : mm)



配件材質 | Part Materials |

配件(Part)	材質(Materials)
接點盒(Contact Block)	ABS 내열수지 (Heat resistance ABS resin)
把柄(Holder)	ABS 내열수지 (Heat resistance ABS resin)
接點(Contact)	은접점 (Silver Contact)
端子(Terminal)	황동 (Brass)
螺絲(Bolt)	Carbon Steel, Stainless Steel
把手(Handle)	ABS Resin
彈簧(Spring)	Stainless Steel
外框(Ring)	ABS Resin, Al

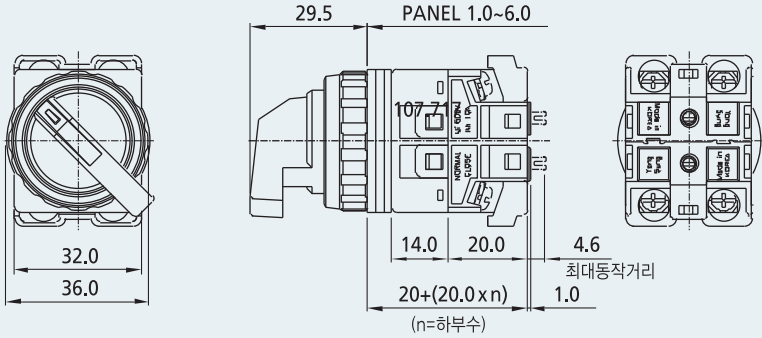
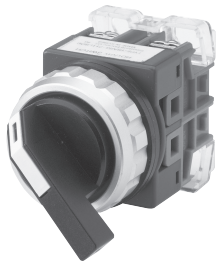
接點額定 | Contact Rating |

額定絕緣電壓(Rating insulation voltage)		AC600V, DC250V		
積熱連續測試電流(Thermal continuous test current)		10A		
AC	額定電壓(Rated voltage)	110V	220V	440V
	電阻性負載(Resistive load)	10A	6A	3A
	電感性負載(Inductive load)	5A	2.5A	1.2A
DC	額定電壓(Rated voltage)	110V	125V	220V
	電阻性負載(Resistive load)	2.2A	1.9A	1.1A
	電感性負載(Inductive load)	1.1A	1.0A	0.6A

產品尺寸圖 | Shape / Dimension Drawing |

(unit : mm)

Lever Type



Knob Type

